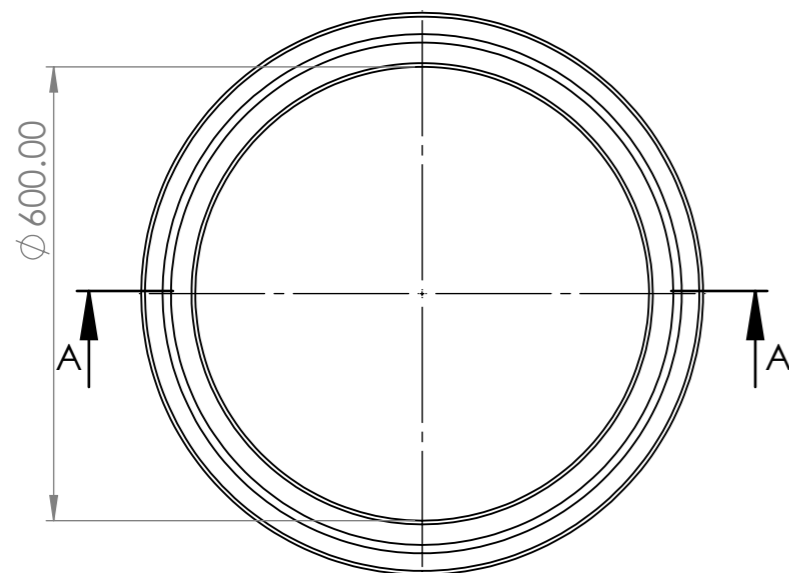


8 7 6 5 4 3 2 1

F

F

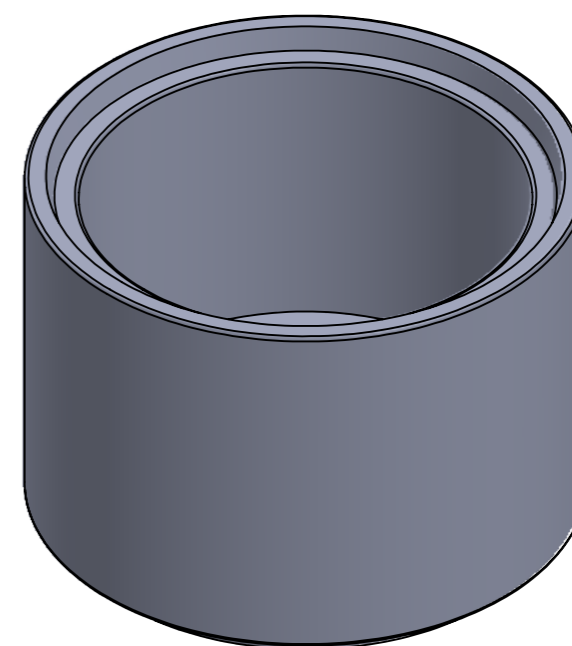


E

E

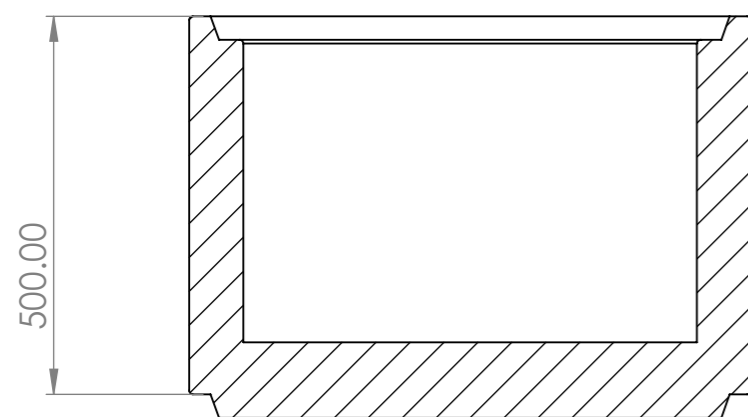
D

D



C

C



B

B

SECTION A-A

A

A

8 7 6 5 4 3 2 1

UNLESS OTHERWISE SPECIFIED: DIMENSIONS ARE IN MILLIMETERS SURFACE FINISH: TOLERANCES: LINEAR: ANGULAR:						DEBURR AND BREAK SHARP EDGES		DO NOT SCALE DRAWING		REVISION	
DRAWN				NAME		SIGNATURE		DATE		TITLE:	
CHK'D										תחתית 60 גובה 50	
APPV'D										DWG NO.	
MFG										9008	
Q.A										A3	
								MATERIAL:		SCALE:1:10	
								WEIGHT:		SHEET 1 OF 2	