

8 7 6 5 4 3 2 1

F

F

E

E

D

D

C

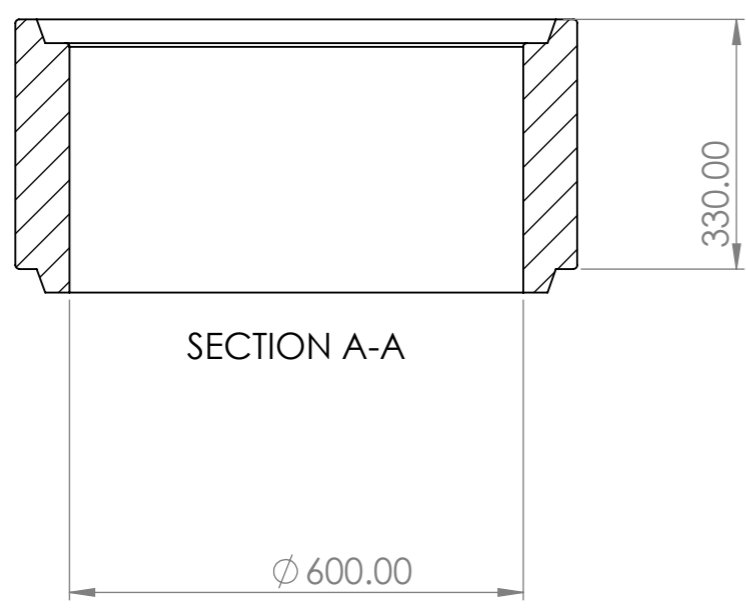
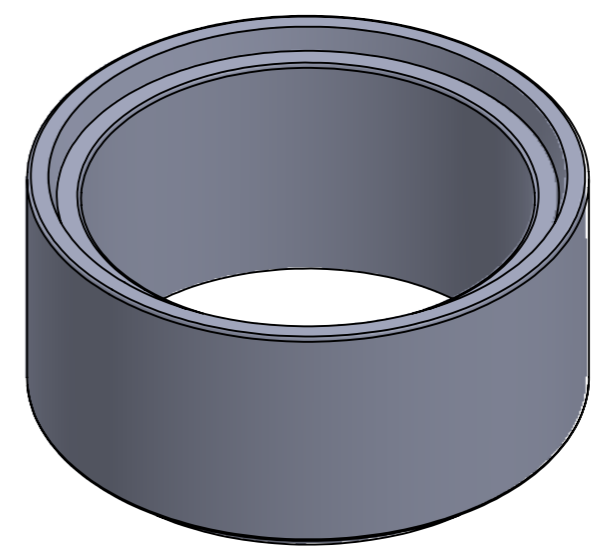
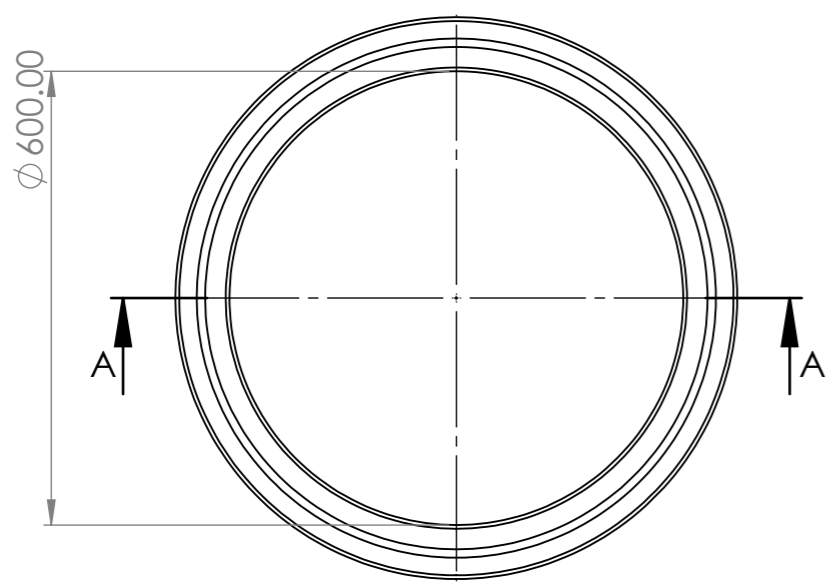
C

B

B

A

A



UNLESS OTHERWISE SPECIFIED: DIMENSIONS ARE IN MILLIMETERS SURFACE FINISH: TOLERANCES: LINEAR: ANGULAR:						DO NOT SCALE DRAWING		REVISION	
DRAWN		NAME				SIGNATURE		DATE	
CHK'D									
APPV'D									
MFG									
Q.A						MATERIAL:		DWG NO. 9006	
						WEIGHT:		SCALE:1:10	
								SHEET 1 OF 2	
								A3	

8 7 6 5 4 3 2 1