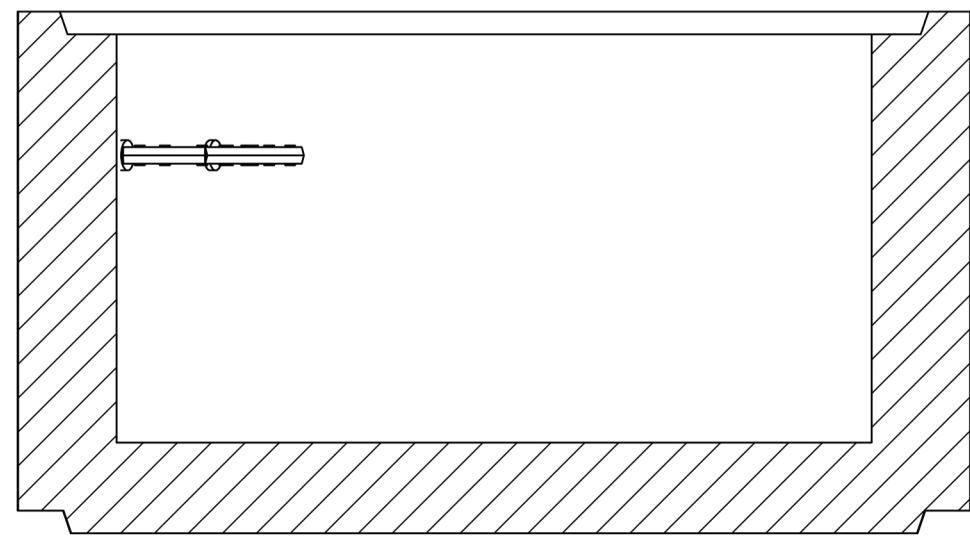
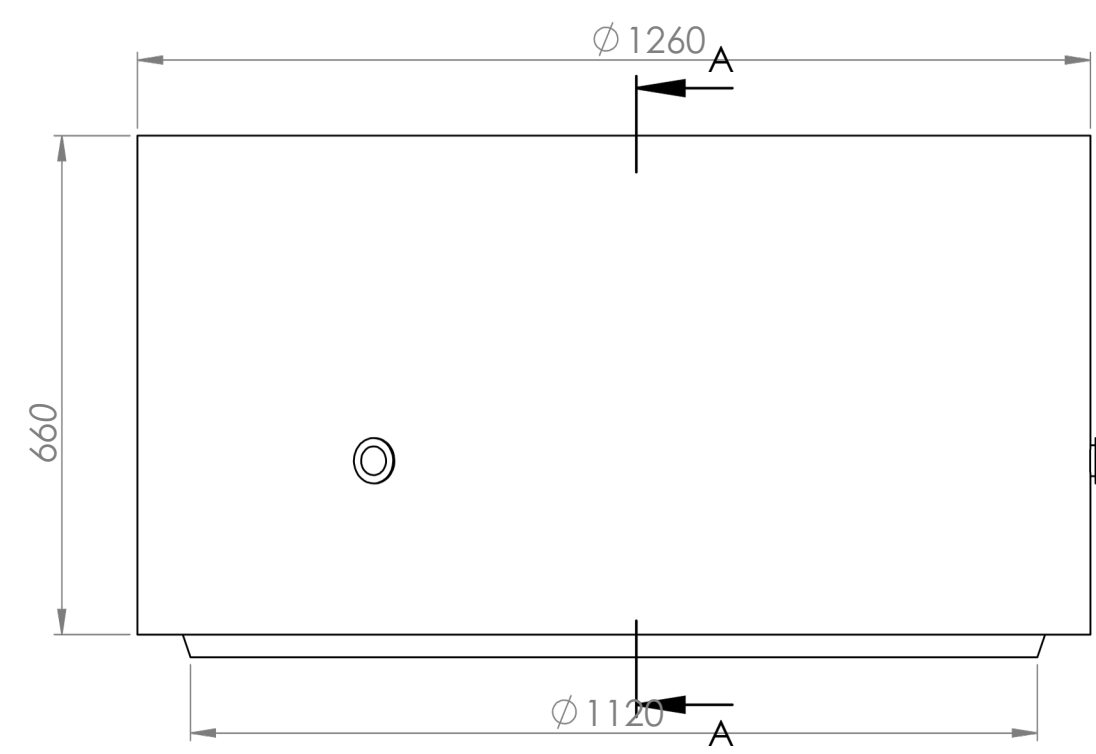
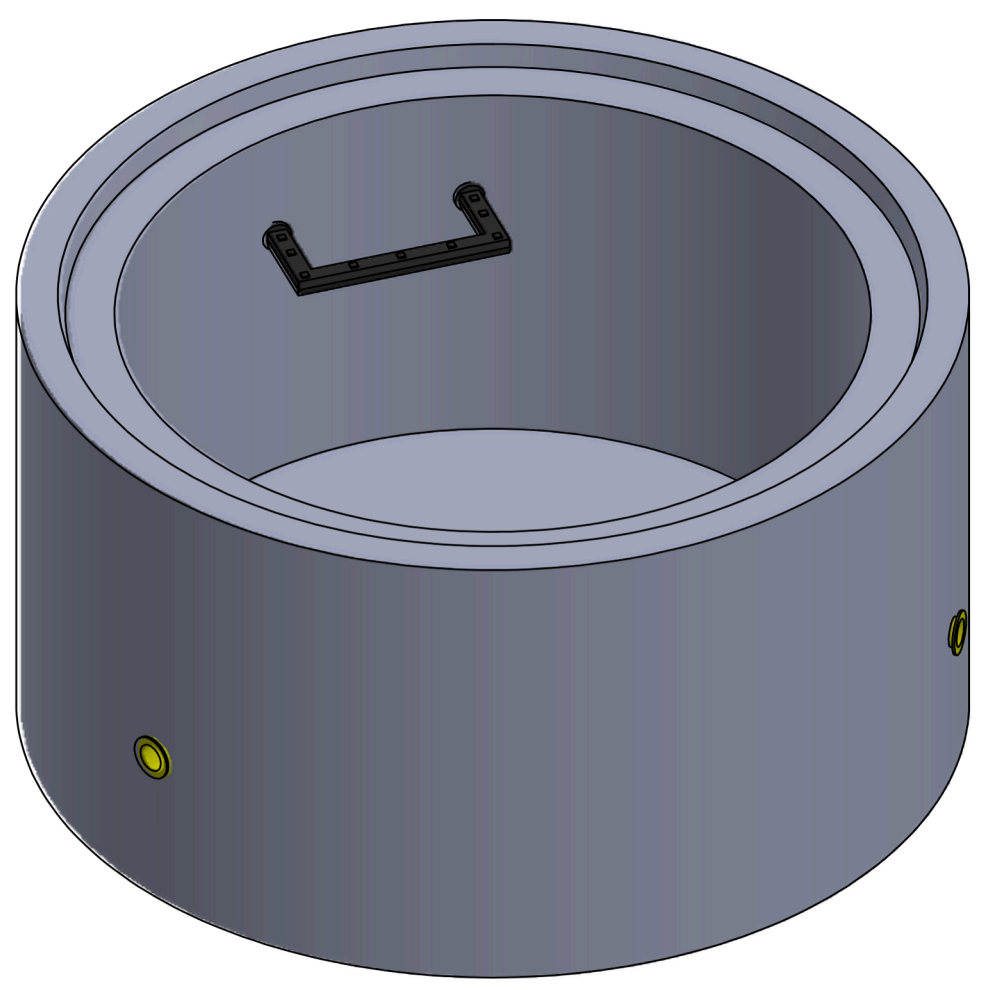


8 7 6 5 4 3 2 1


F
E
D
C
B
A



SECTION A-A
SCALE 1 : 10



8 7 6 5 4 3 2 1

UNLESS OTHERWISE SPECIFIED: DIMENSIONS ARE IN MILLIMETERS SURFACE FINISH: TOLERANCES: LINEAR: ANGULAR:						DEBURR AND BREAK SHARP EDGES		DO NOT SCALE DRAWING		REVISION	
DRAWN				NAME		SIGNATURE		DATE		TITLE:	
CHK'D										תחתית 100 גובה 66	
APPV'D											
MFG										DWG NO.	
Q.A										9211	
										A3	
										SCALE: 1:20	
										SHEET 1 OF 3	