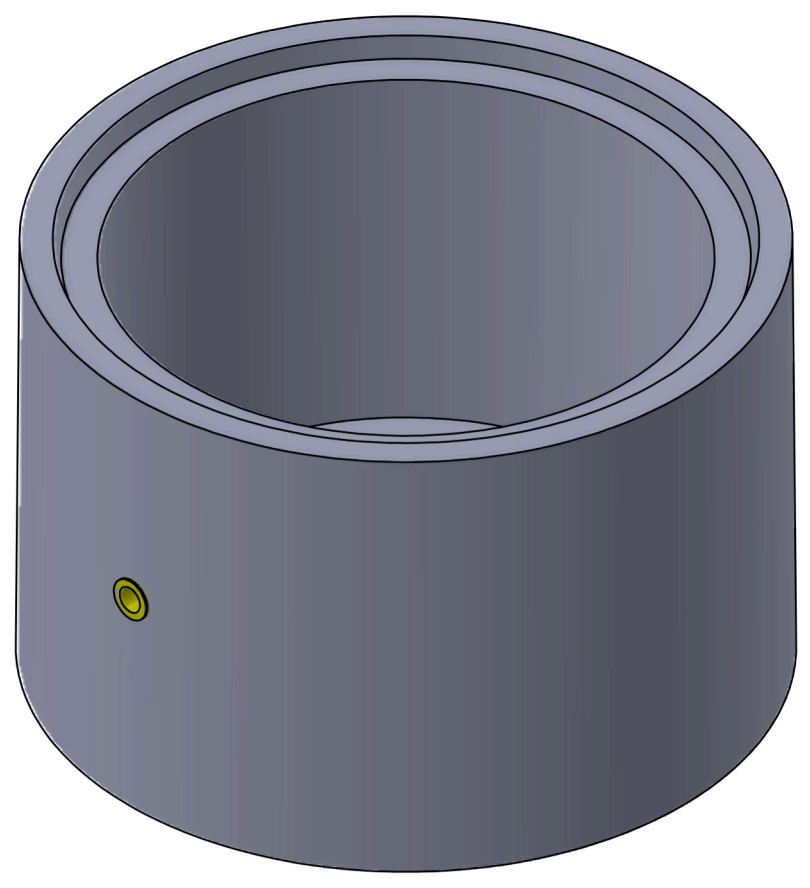



SECTION A-A
SCALE 1 : 10



UNLESS OTHERWISE SPECIFIED: DIMENSIONS ARE IN MILLIMETERS SURFACE FINISH: TOLERANCES: LINEAR: ANGULAR:				 DEBURR AND BREAK SHARP EDGES		DO NOT SCALE DRAWING		REVISION			
DRAWN				NAME		SIGNATURE		DATE		TITLE: תחתית 80 גובה 66	
CHK'D											
APPV'D											
MFG											
Q.A								MATERIAL:		DWG NO. 9201	
								WEIGHT:		SCALE: 1:20	
										SHEET 1 OF 3	

A3