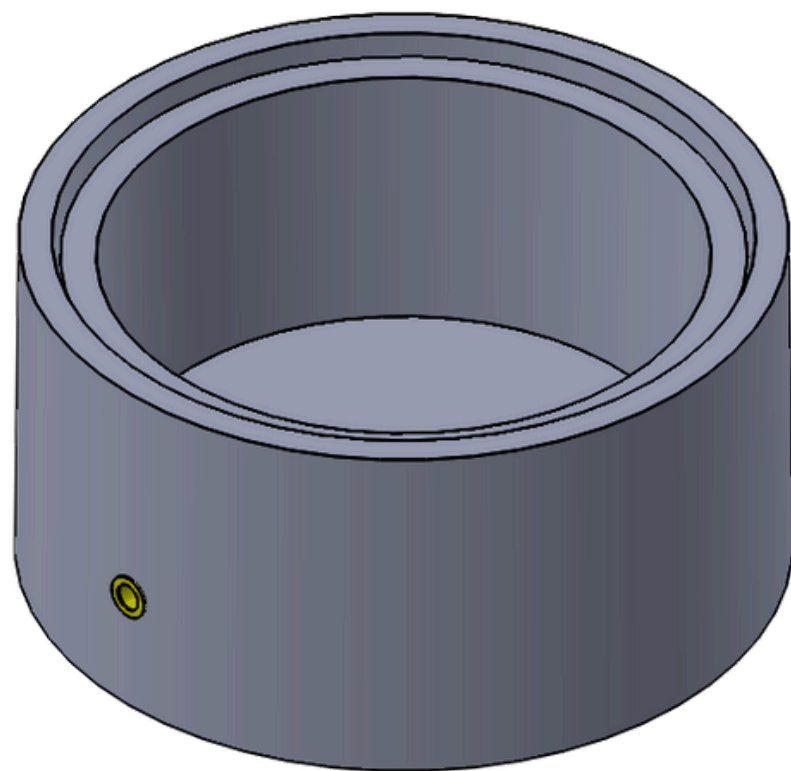


SECTION A-A



UNLESS OTHERWISE SPECIFIED: DIMENSIONS ARE IN MILLIMETERS SURFACE FINISH: TOLERANCES: LINEAR: ANGULAR:					DEBURR AND BREAK SHARP EDGES		DO NOT SCALE DRAWING		REVISION		
DRAWN			NAME			SIGNATURE			DATE		
CHK'D			TITLE:			50 תחתית 80 גובה					
APPV'D			MATERIAL:			DWG NO.			9200		
MFG			WEIGHT:			SCALE: 1:10			SHEET 1 OF 4		
Q.A									A3		