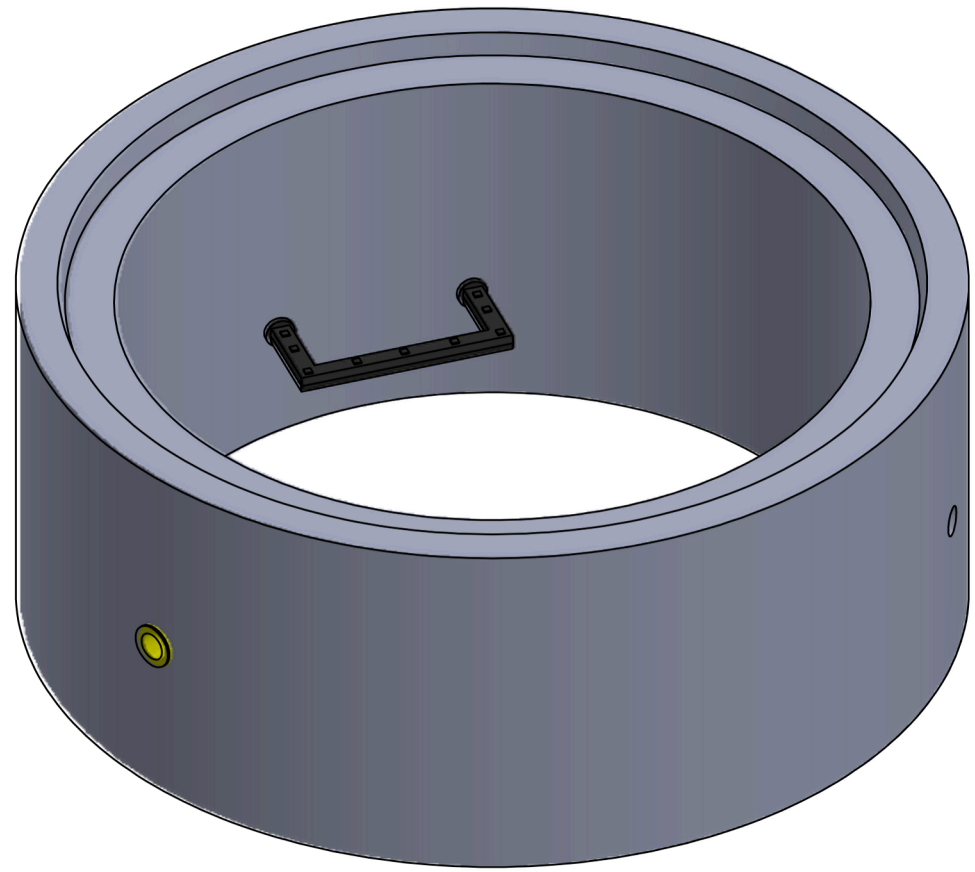



SECTION A-A
SCALE 1 : 10



UNLESS OTHERWISE SPECIFIED: DIMENSIONS ARE IN MILLIMETERS SURFACE FINISH: TOLERANCES: LINEAR: ANGULAR:						DO NOT SCALE DRAWING		REVISION
DRAWN		NAME				SIGNATURE		DATE
CHK'D								חוליה 100 גובה 50
APPV'D								
MFG								
Q.A								
				MATERIAL:		DWG NO.		A3
				WEIGHT:		SCALE: 1:20		SHEET 1 OF 3
						9111		