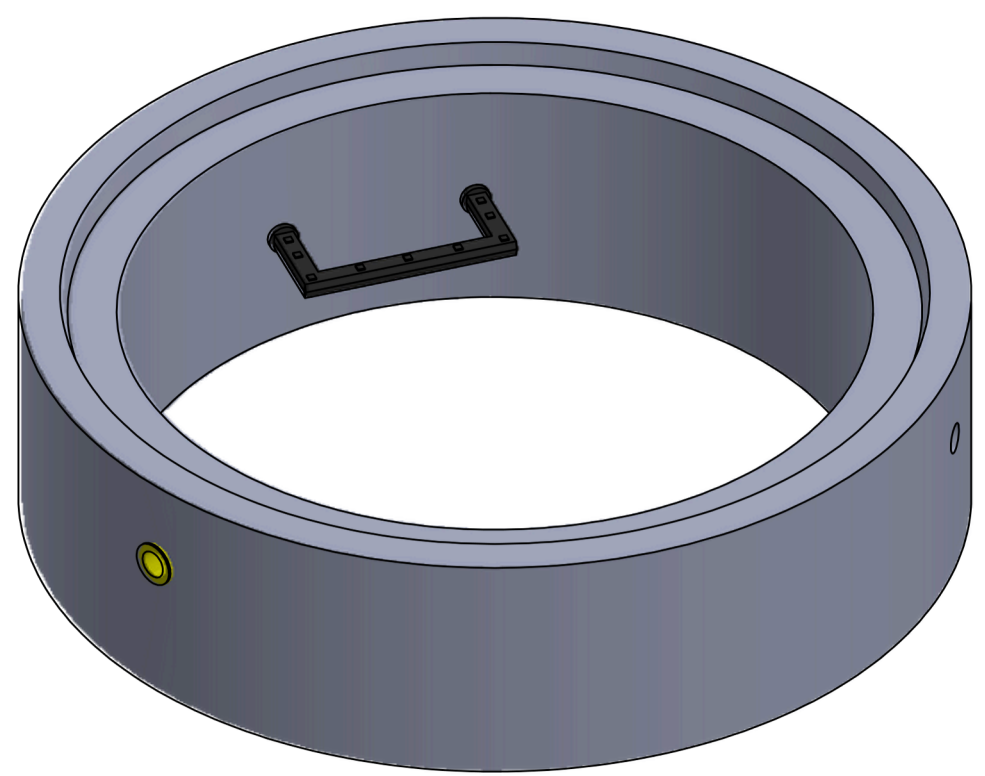



SECTION A-A  
SCALE 1 : 10



UNLESS OTHERWISE SPECIFIED: DIMENSIONS ARE IN MILLIMETERS SURFACE FINISH: TOLERANCES: LINEAR: ANGULAR:				 DEBURR AND BREAK SHARP EDGES		DO NOT SCALE DRAWING		REVISION
NAME	SIGNATURE	DATE	TITLE:			33 גובה 100 חוליה		
DRAWN			DWG NO.		9110		A3	
CHK'D			MATERIAL:		SCALE: 1:20		SHEET 1 OF 3	
APPV'D			WEIGHT:					
MFG								
Q.A								