

8 7 6 5 4 3 2 1

F F

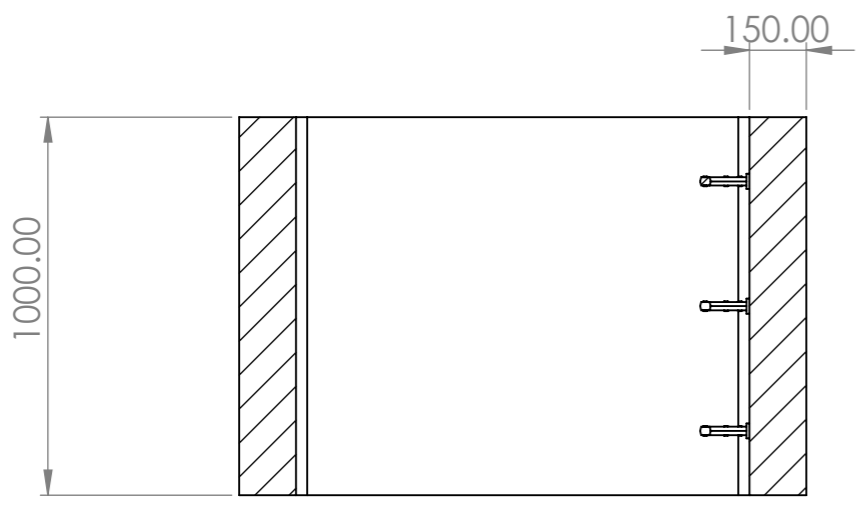
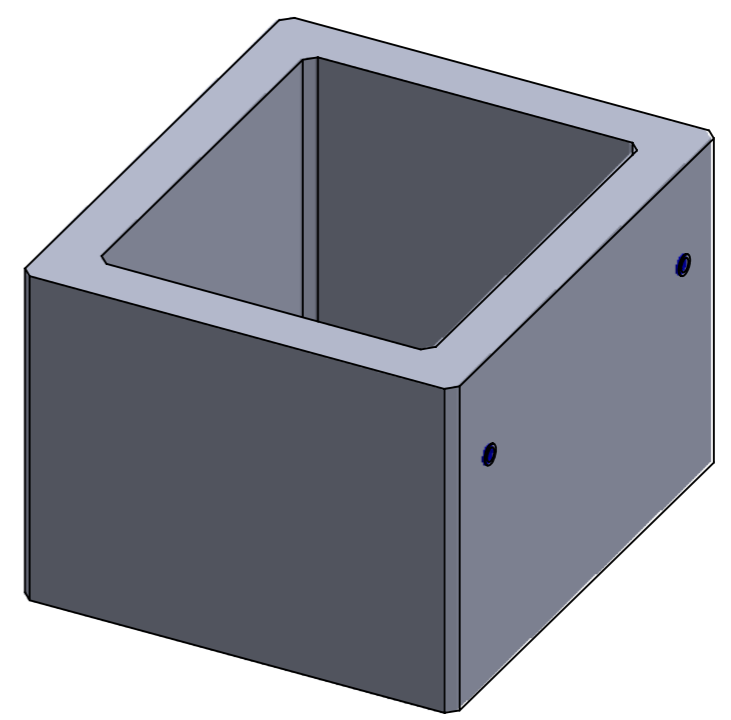
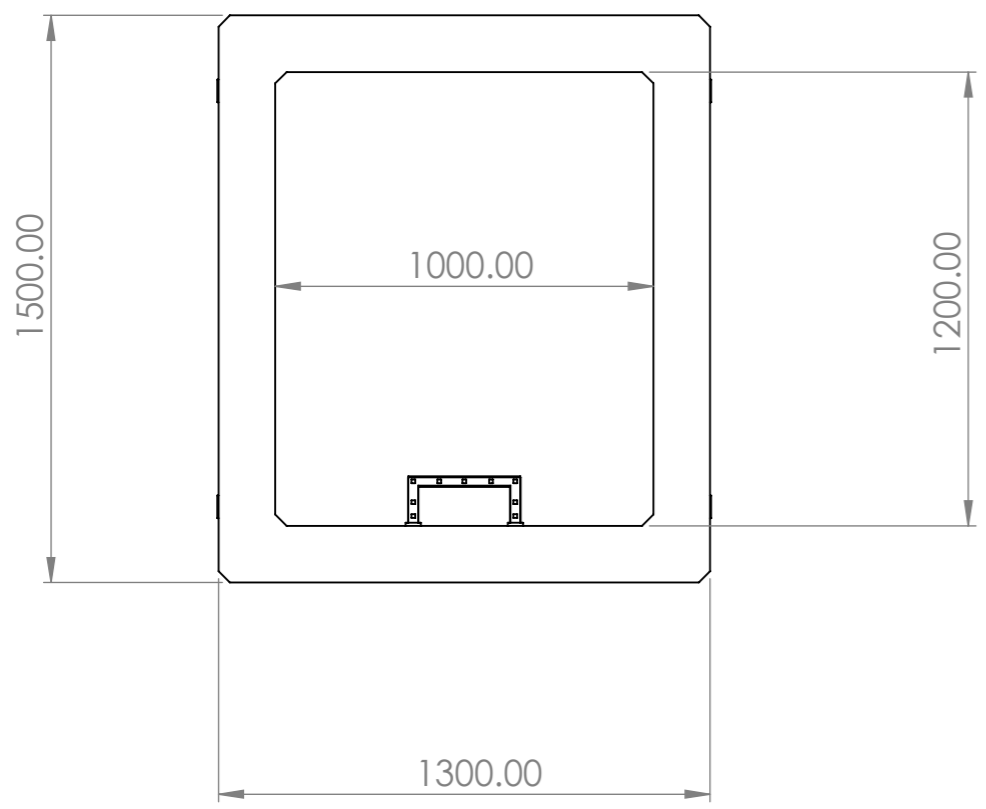
E E

D D

C C

B B

A A



SECTION A-A

UNLESS OTHERWISE SPECIFIED: DIMENSIONS ARE IN MILLIMETERS SURFACE FINISH: TOLERANCES: LINEAR: ANGULAR:						DEBURR AND BREAK SHARP EDGES		DO NOT SCALE DRAWING		REVISION	
DRAWN				NAME		SIGNATURE		DATE		TITLE:	
CHK'D										תא בקרה 120/100	
APPV'D										DWG NO.	
MFG										8200	
Q.A								MATERIAL:		A3	
								WEIGHT:		SCALE:1:20	
										SHEET 1 OF 2	

8 7 6 5 4 3 2 1