

8 7 6 5 4 3 2 1

F

E

D

C

B

A

F

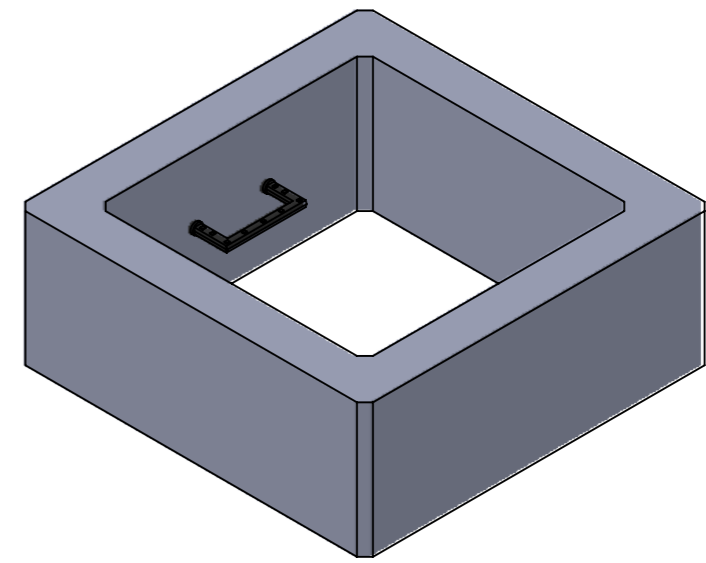
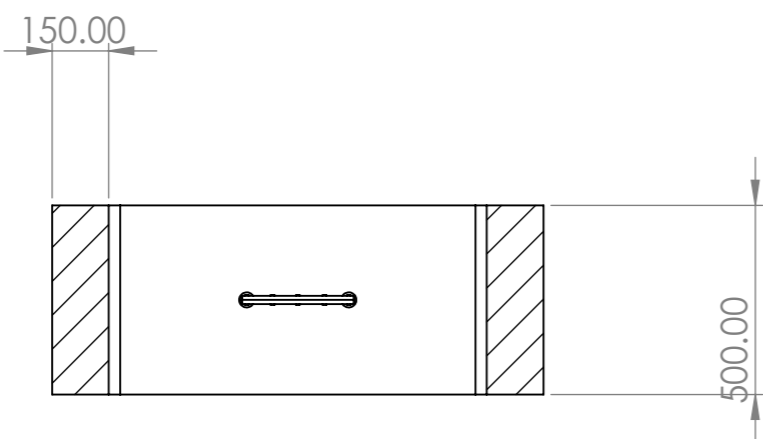
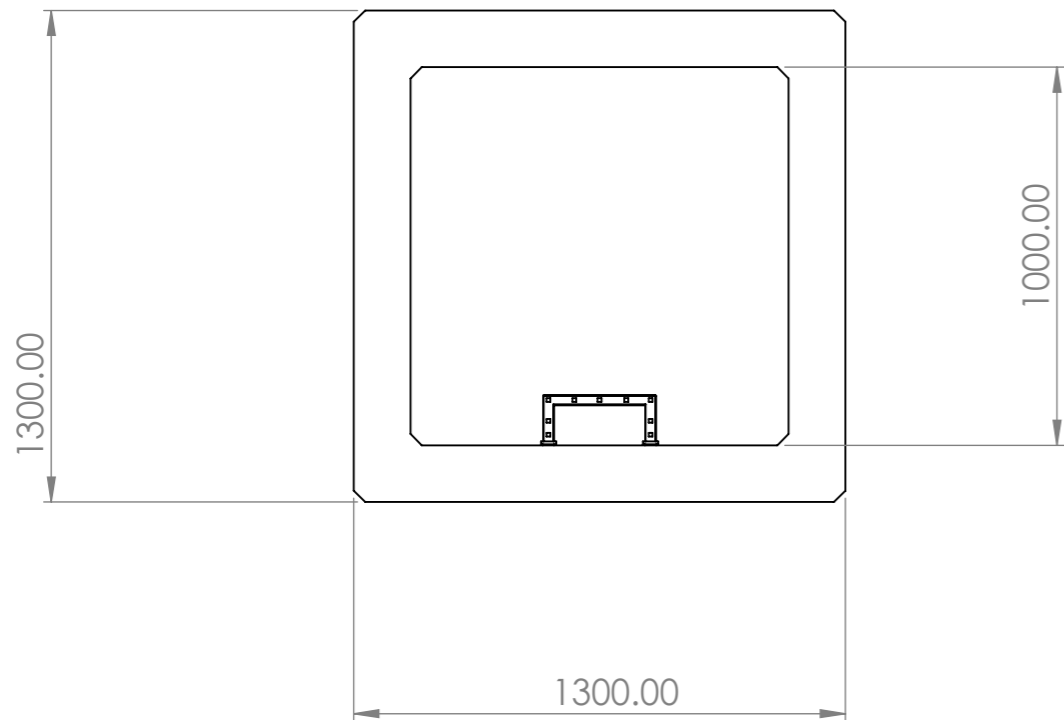
E

D

C

B

A



UNLESS OTHERWISE SPECIFIED: DIMENSIONS ARE IN MILLIMETERS SURFACE FINISH: TOLERANCES: LINEAR: ANGULAR:						DEBURR AND BREAK SHARP EDGES		DO NOT SCALE DRAWING		REVISION									
DRAWN				NAME				SIGNATURE				DATE				TITLE: תא מלבני 100.100.50			
CHK'D				MATERIAL:				DWG NO. 8105				A3							
APPV'D				WEIGHT:				SCALE:1:20				SHEET 1 OF 2							
MFG																			
Q.A																			

8 7 6 5 4 3 2 1