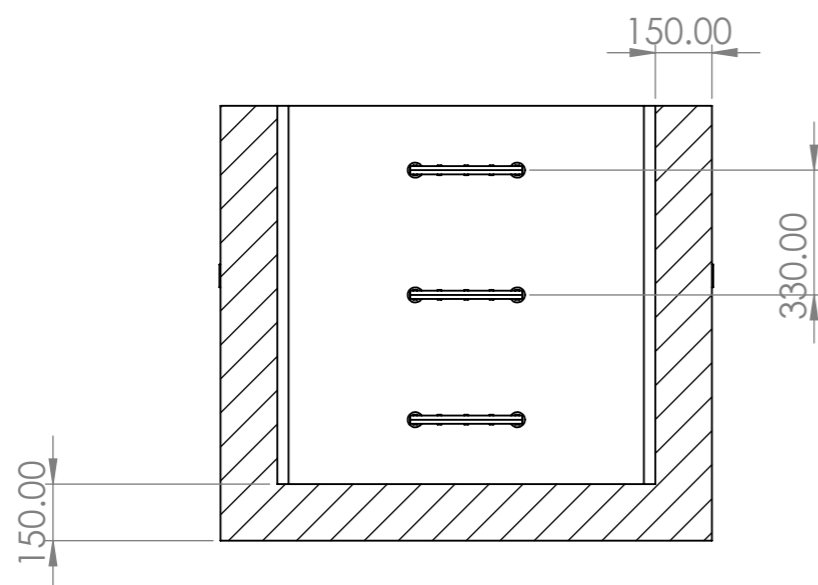
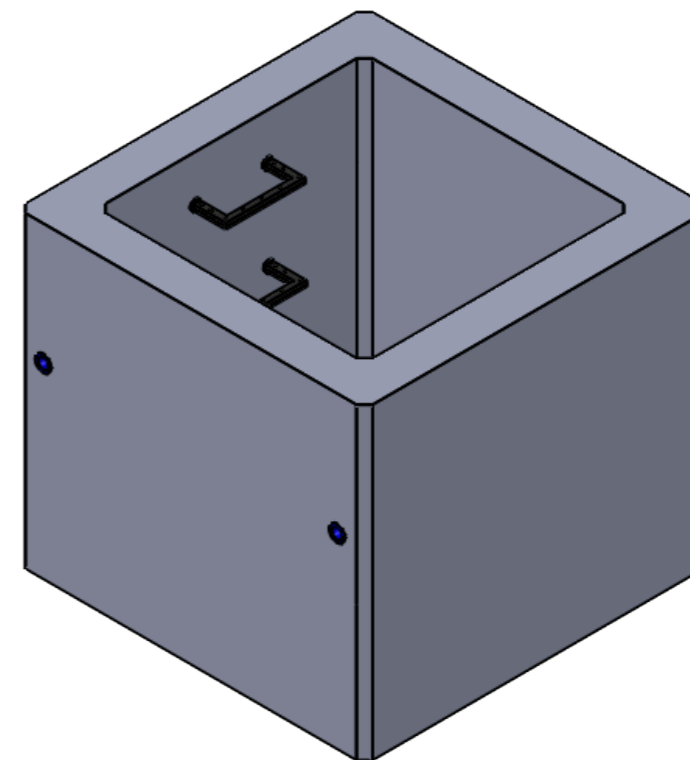
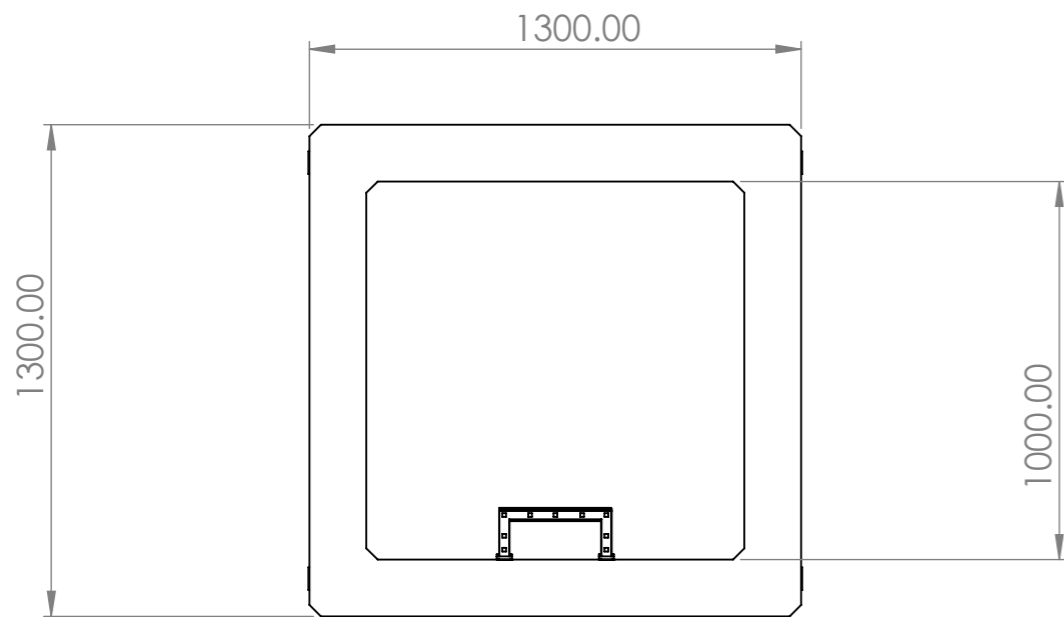


8 7 6 5 4 3 2 1

F
E
D
C
B
A



UNLESS OTHERWISE SPECIFIED: DIMENSIONS ARE IN MILLIMETERS SURFACE FINISH: TOLERANCES: LINEAR: ANGULAR:						DEBURR AND BREAK SHARP EDGES		DO NOT SCALE DRAWING		REVISION									
DRAWN				NAME				SIGNATURE				DATE				TITLE: תחתית 100.100.100			
CHK'D				MATERIAL:				DWG NO.				8101				A3			
APPV'D				WEIGHT:				SCALE:1:20				SHEET 1 OF 2							
MFG																			
Q.A																			

8 7 6 5 4 3 2 1