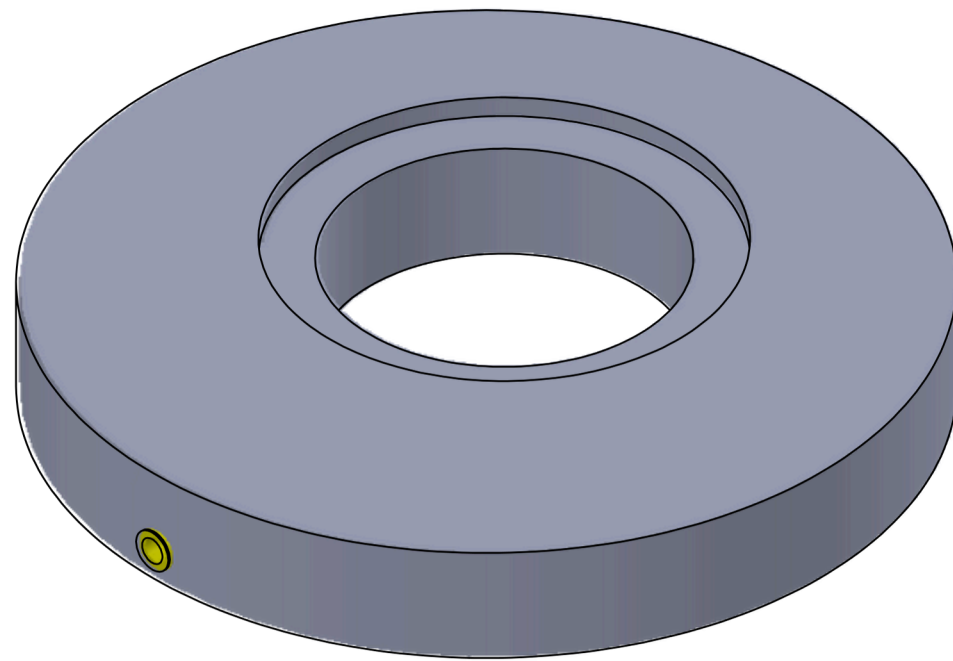
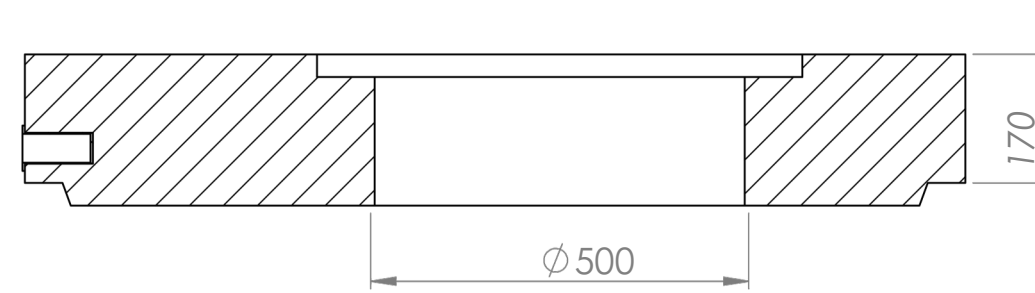



SECTION A-A
SCALE 1 : 10



UNLESS OTHERWISE SPECIFIED: DIMENSIONS ARE IN MILLIMETERS SURFACE FINISH: TOLERANCES: LINEAR: ANGULAR:					DEBURR AND BREAK SHARP EDGES	DO NOT SCALE DRAWING	REVISION
NAME	SIGNATURE	DATE	TITLE:			תקרה לתא ק.100 פ. 50 כבדה	
DRAWN			MATERIAL:			DWG NO.	7121
CHK'D			WEIGHT:			SCALE: 1:20	A3
APPV'D			SHEET 1 OF 3				