

8 7 6 5 4 3 2 1

F

F

E

E

D

D

C

C

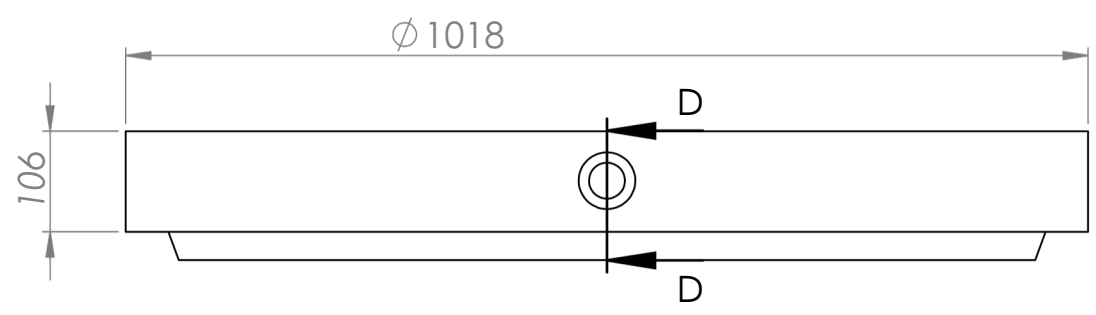
B

B

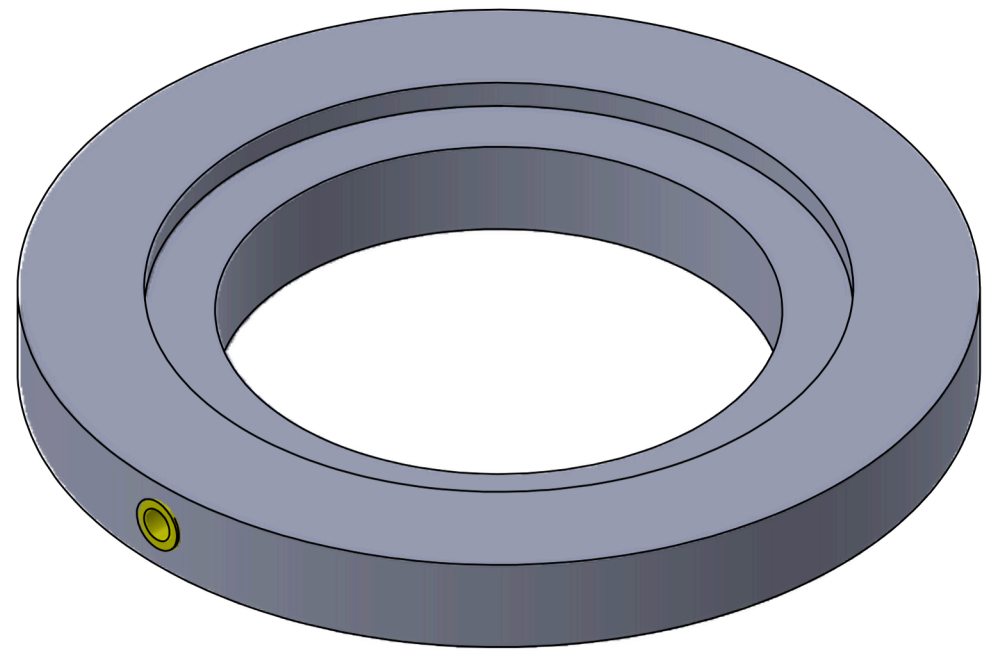
A


A

8 7 6 5 4 3 2 1



SECTION D-D
SCALE 1 : 8



UNLESS OTHERWISE SPECIFIED: DIMENSIONS ARE IN MILLIMETERS SURFACE FINISH: TOLERANCES: LINEAR: ANGULAR:						DEBURR AND BREAK SHARP EDGES		DO NOT SCALE DRAWING		REVISION		
NAME	SIGNATURE	DATE		TITLE: תקרה לתא ק.80 פ.60 בינוני								
DRAWN				DWG NO. 7112								A3
CHK'D				SCALE:1:10								SHEET 1 OF 3
APPV'D				WEIGHT:								
MFG				MATERIAL:								
Q.A												