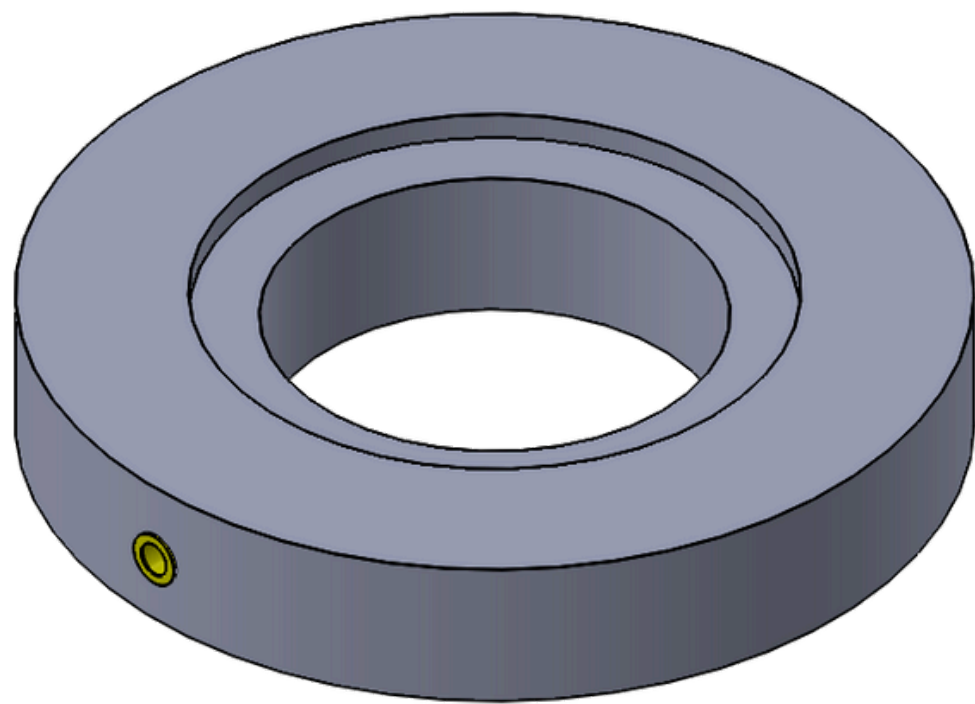
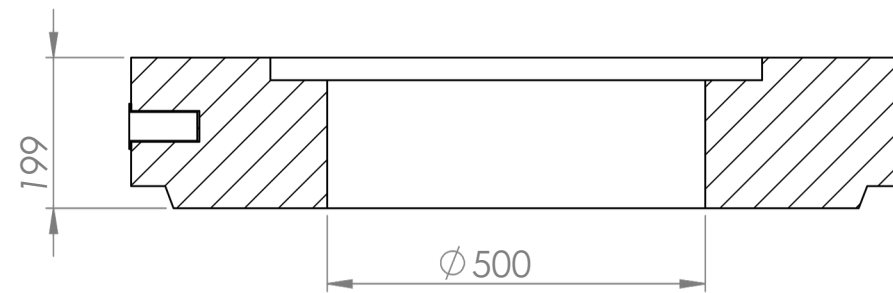



SECTION A-A



UNLESS OTHERWISE SPECIFIED: DIMENSIONS ARE IN MILLIMETERS SURFACE FINISH: TOLERANCES: LINEAR: ANGULAR:			 DEBURR AND BREAK SHARP EDGES		DO NOT SCALE DRAWING	REVISION
NAME	SIGNATURE	DATE	TITLE: תקרה לתא ק.80 פ.50 בינוני			
DRAWN			DWG NO. 7111			
CHK'D			A3			
APPV'D			SCALE: 1:10			
MFG			SHEET 1 OF 3			
Q.A			WEIGHT:			