
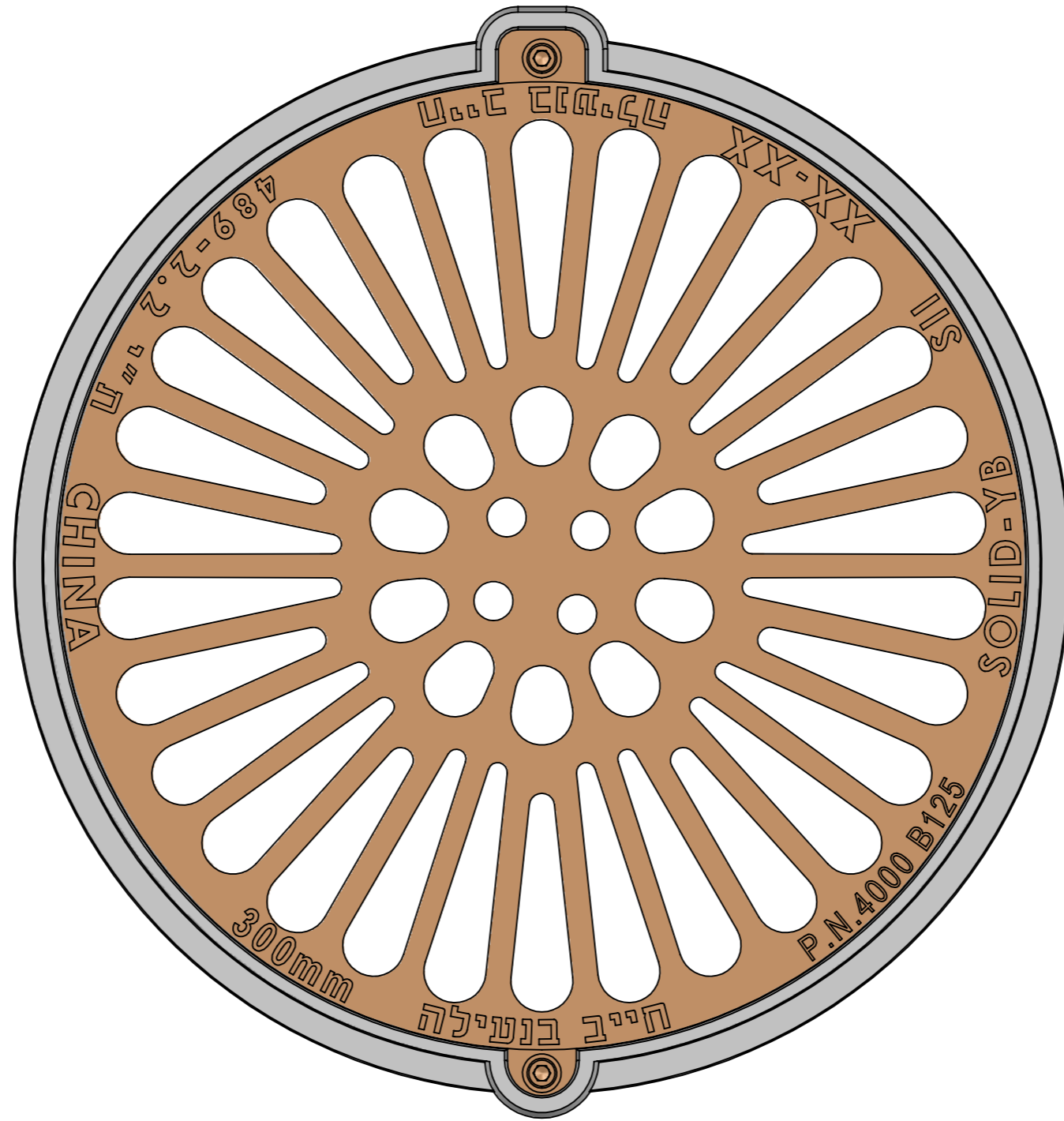


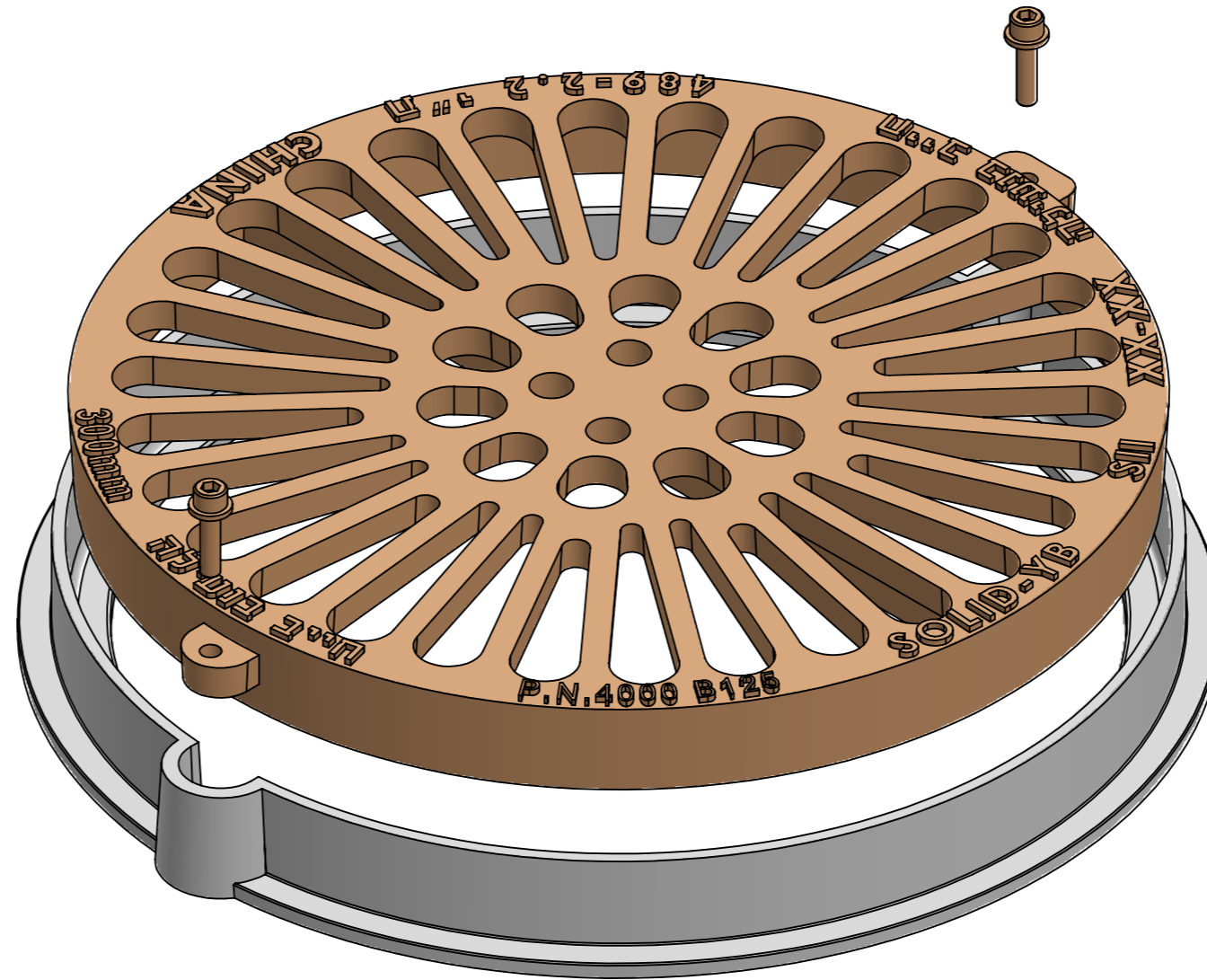
SECTION A-A
SCALE 1:2

FRAME WEIGHT: 2.28 KG
 COVER WEIGHT: 4.85 KG
 TOTAL : 7.13 KG
 DUCTILE IRON

UNLESS OTHERWISE SPECIFIED: DIMENSIONS ARE IN MILLIMETERS SURFACE FINISH: TOLERANCES: LINEAR: ANGULAR:				 יציקות בע"מ	DO NOT SCALE DRAWING		REVISION
NAME	SIGNATURE	DATE	TITLE: רשת קי"ס 30 B125 + בורג		DWG NO. 4000	A3	
DRAWN			MATERIAL: DUCTILE 500 7 ISO 1083 1987 יצקת ספרודלית מסוג י"ב-50 ת"י 489-2.2		SCALE:1:5	SHEET 1 OF 3	
CHK'D			WEIGHT:				
APPV'D							
MFG							
Q.A							



UNLESS OTHERWISE SPECIFIED: DIMENSIONS ARE IN MILLIMETERS SURFACE FINISH: TOLERANCES: LINEAR: ANGULAR:				FINISH:		DEBURR AND BREAK SHARP EDGES		DO NOT SCALE DRAWING		REVISION	
DRAWN				NAME		SIGNATURE		DATE		TITLE:	
CHK'D											
APPV'D											
MFG											
Q.A								MATERIAL:		DWG NO.	
										Assem12	
								WEIGHT:		SCALE:1:5	
										SHEET 2 OF 3	
										A3	



UNLESS OTHERWISE SPECIFIED: DIMENSIONS ARE IN MILLIMETERS SURFACE FINISH: TOLERANCES: LINEAR: ANGULAR:				FINISH:		DEBURR AND BREAK SHARP EDGES		DO NOT SCALE DRAWING		REVISION	
DRAWN				NAME		SIGNATURE		DATE		TITLE:	
CHK'D											
APPV'D											
MFG											
Q.A								MATERIAL:		DWG NO.	
										Assem12	
								WEIGHT:		SCALE:1:5	
										SHEET 3 OF 3	
										A3	